

PERMANENT INSTRUMENT

ACTEON 2040-CTZ ACTEON 2041-STZ

New conductivity (salinity) and temperature field transmitter

- n Sturdy, watertight, easy to install
- n Widescreen graphic display: instant measurements, trend line, calibration state
- n Quick and simple intuitive programming
- n 4-20 mA outputs, programmable relays



Technical specifications	
Conductivity measurement range	0.00-20.00; 0.0-100.0; 0.0-200.0mS/cm
Salinity measurement range	0.0 - 100.0g/kg
Measurement accuracy	±0.5% of displayed value
Temperature measurement range	-10.00 to +50.00°C
Temperature measurement accuracy (°C)	±0.1 °C
Casing	ABS
Protection	IP 65
Operating temperature	-25°C to +55°C
Dimensions (L x W x D) /Weight	173 x 195 x 103mm / 1.5kg
Display	Widescreen back-lit graphic display: 240 x 128 pixels (108 x 58mm)
Power supply	230/115 VAC 60Hz, Optional: 24Vdc
Max power consumption	10VA
4-20mA outputs	2 galvanic isolation outputs (max load 700ohms): - Adjustable on the conductivity/salinity ranges - Adjustable from -10.00°C to +50.00°C
Relay outputs	2 relays that can be configured in 2 different modes: - Adjustment in alarm mode (1 conductivity and 1 temperature (°C) threshold) - Adjustment in adjustment mode (2 conductivity thresholds)

Simple, sturdy and reliable like its legendary predecessor, the APF series, with additional digital intelligence and leading-edge technology.

Fields of application:

The sensor is recommended for use in clogged environments and for conductivities greater than 10mS/cm.

- Wastewater treatment (input/output);
- Industrial effluent treatment (input, waste controls, etc.);
- Measurements in sea water.

The ACTEON 2040 and 2041 units come with an induction sensor: PONCPC-CTZ-10.

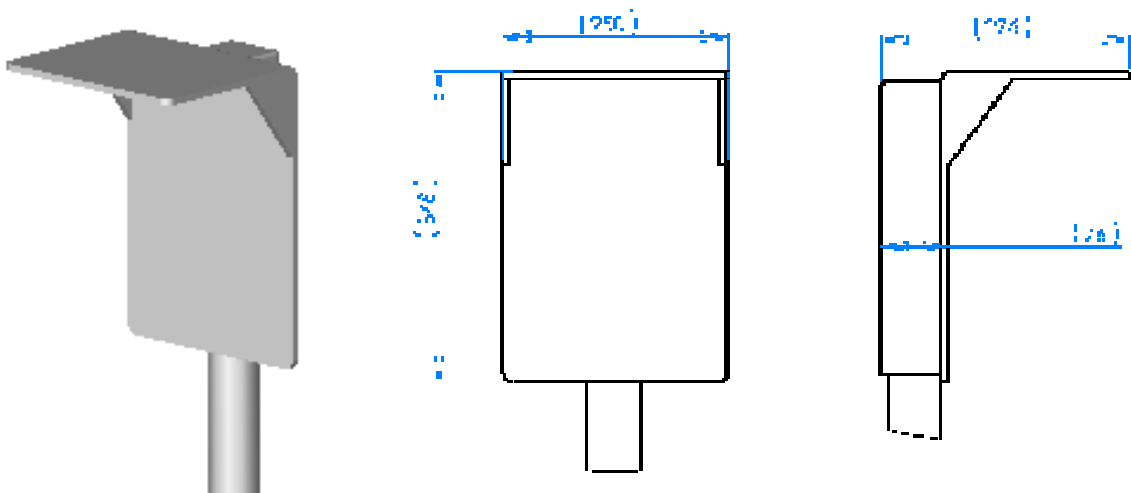
Induction sensor: low polarographic sensor. Ideal for process regulation applications.

A ring-type coil is excited at fixed intervals and the response is retrieved on a second coil, which is linked to the excited coil. The connectivity between the coils (determined by the degree of conductivity) takes place via the conducting solution.

- **Temperature range:** -10 +60°C
- **Operating frequency:** Approximately 10kHz
- **Signals sent:** Direct voltage for conductivity
- **Temperature compensation:** 100W platinum probe (3-wire assembly)
- **Cable:** 10 metres
- **Material:** DELRIN
- **Weight:** 700g
- **Dimensions:** Diameter: 36mm x Length: 156mm



Accessories for electronic unit installation:



Hood mount for ACTEON 2040 and 2041 transmitters (**PON-DPCV-1** for 1 transmitter and **PON-PDPCV-2** for 2 transmitters).

