

PERMANENT INSTRUMENT

ACTEON 2052-TU-T

New turbidity and temperature field transmitter

- Sturdy, watertight, easy to install
- Widescreen graphic display: instant measurements, trend line, calibration state
- Quick and simple intuitive programming
- 4-20 mA outputs, programmable relays

Simple, sturdy and reliable like its legendary predecessor, the APF series, with additional digital intelligence and leading-edge technology.



Technical specifications	
Ranges	0.0-200.0 or 0-2000 NTU 0.0-200.0 or 0-2.000mg/L
Measurement accuracy	±2 NTU
Temperature measurement range	-10.00 to +50.00°C
Temperature measurement accuracy (°C)	±0.1 °C
Casing	ABS
Protection	IP 65
Operating temperature	-25°C to +55°C
Dimensions (L x W x D) /Weight	173 x 195 x 103mm / 1.5kg
Display	Widescreen back-lit graphic display: 240 x 128 pixels (108 x 58mm)
Power supply	230/115 VAC 60Hz, Optional: 24Vdc
Max power consumption	10VA
4-20mA outputs	2 galvanic isolation outputs (max load 700ohms): - Adjustable from 0.0 to 200.0 NTU or from 0 to 2000 NTU (or mg/L) - Adjustable from -10.00°C to +50.00°C
Relay outputs	2 relays that can be configured in 2 different modes: - Adjustment in alarm mode (1 TU and 1 temperature (°C) threshold) - Adjustment in adjustment mode (2 TU thresholds with 2 relays)

Fields of application:

- Turbidity is a qualitative reference parameter for the residual charge of undissolved substances.
- Turbidity monitoring in wastewater treatment structures helps to determine if these purification systems are efficient:
- Wastewater treatment (input, treatment line, sludge, output)

Simple, sturdy and reliable like its legendary predecessor, the APF series, with additional digital intelligence and leading-edge technology.

The ACTEON 2052 unit comes with a PONCIR-TU20-10 optical infrared sensor.

Turbidity sensor: PONCIR-TU20-10:

Measurement principle: Optical absorption of infrared light, regulated and pulsed emission (10Hz frequency)

Dimensions: 218 x 80 mm

Length: 246mm

Weight: 1kg

Material: PVC



Temperature compensation (°C): Automatic, by NTC thermistor from +5 to +30°C

Emission wavelength: 880nm (infrared)

Cable: Multiple coated wires, polyurethane sheath. 10m standard length (up to 100m on request)

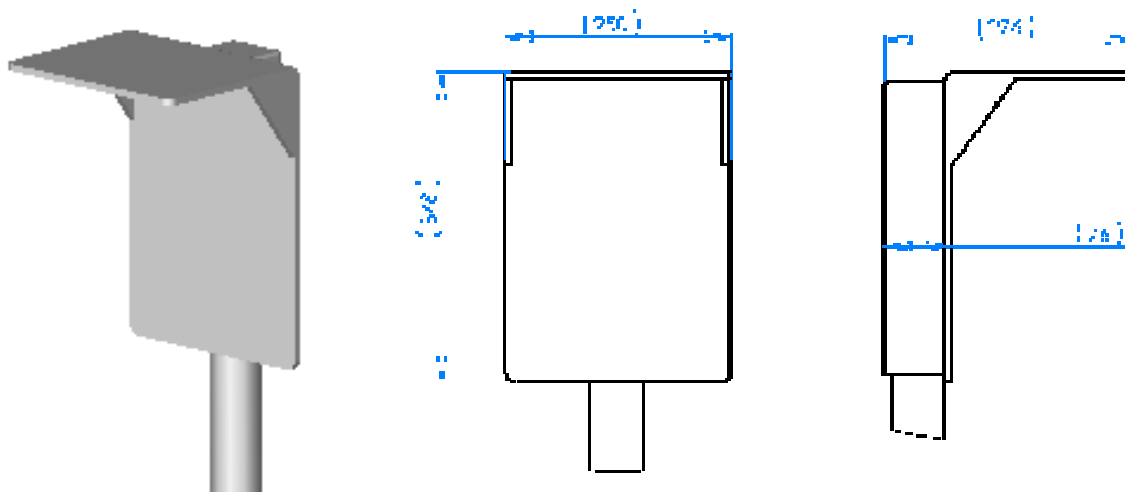
Installation options: *Fixed sensor-holder accessories for in-pipe installation.*

- Modulation electronics system: Pre-amplification and optical feedback control integrated into the shaft of the nominal power supply sensor: Unregulated common analog voltage (6 to 12V), consumption less than 2mA under 6V.

Temperature Sensor:

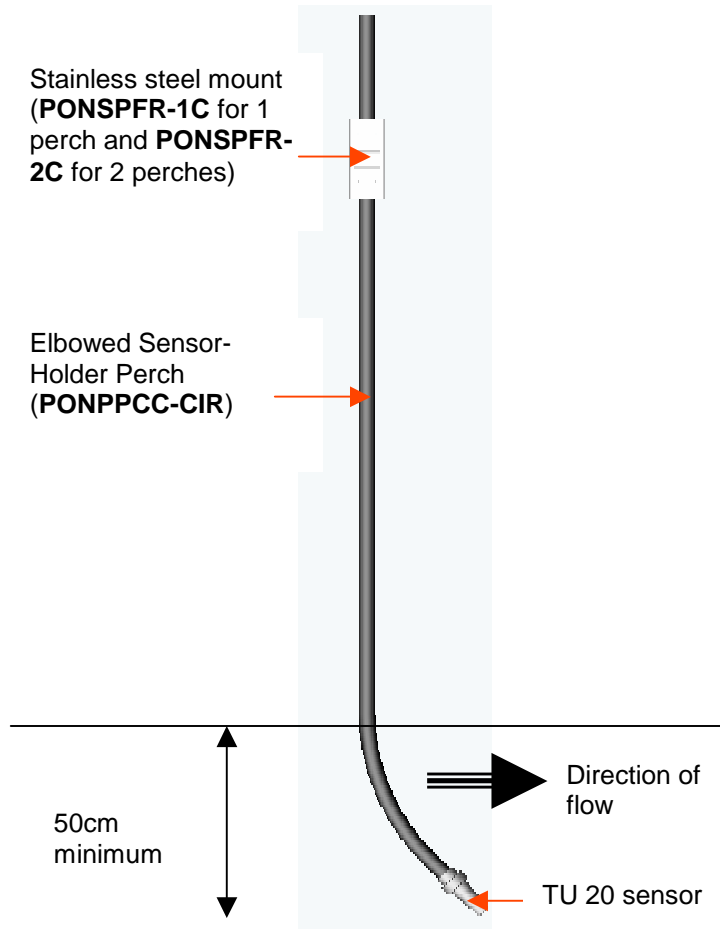
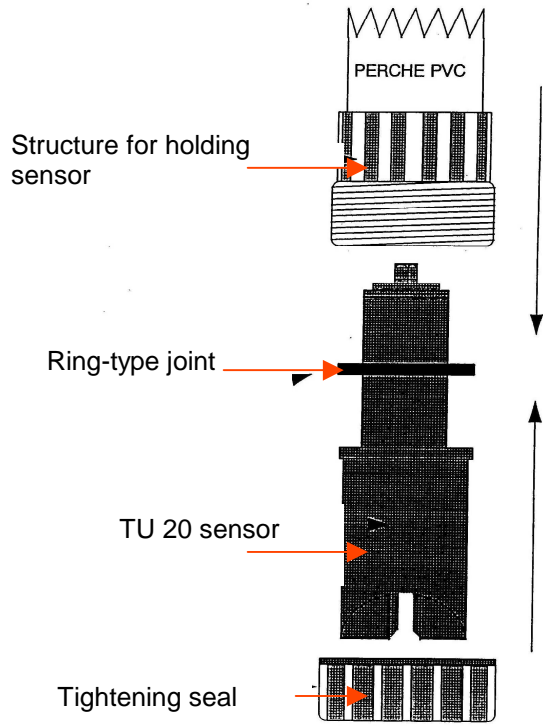
Delrin, Stainless steel, Silicone - IP68
 Dimensions: Diameter 3mm (sensor), Length 115mm
 Weight: 40g
 Cable: 10m standard length

Accessories for electronic unit installation:

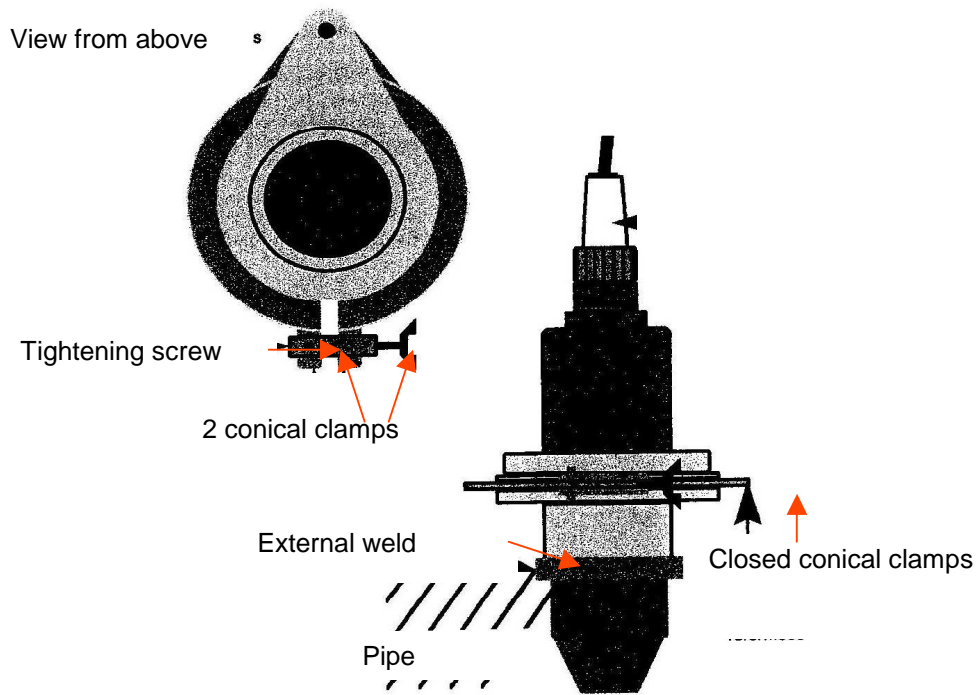


Hood mount for the ACTEON 2052 transmitter (**PON-PDPCV-1** for 1 transmitter and **PON-PDPCV-2** for 2 transmitters).

Accessories for sensor installation in tanks and open canals:



Accessories for sensor installation in pipes:



TU 20 sensor for in- pipe installation with a quick mounting/dismounting system using conical coupling clamps