

# PERMANENT INSTRUMENT

## ACTEON 2056-NTU-T

### New nephelometric turbidity and temperature field transmitter

- Sturdy, watertight, easy to install
- Widescreen graphic display: instant measurements, trend line, calibration state
- Quick and simple intuitive programming
- 4-20 mA outputs, programmable relays



Technical specifications	
<b>Ranges</b>	0.00-20.00 or 0.0-200.0 NTU
<b>Measurement accuracy</b>	±0.5% of the displayed value
<b>Temperature measurement range</b>	-10.00 to +50.00°C
<b>Temperature measurement accuracy (°C)</b>	±0.1 °C
<b>Casing</b>	ABS
<b>Protection</b>	IP 65
<b>Operating temperature</b>	-25°C to +55°C
<b>Dimensions (L x W x D) /Weight</b>	173 x 195 x 103mm / 1.5kg
<b>Display</b>	Widescreen back-lit graphic display: 240 x 128 pixels (108 x 58mm)
<b>Power supply</b>	230/115 VAC 60Hz, Optional: 24Vdc
<b>Max power consumption</b>	10VA
<b>4-20mA outputs</b>	2 galvanic isolation outputs (max load 700ohms): - Adjustable from 0.00 to 20.00 NTU or from 0.0 to 200.0 NTU - Adjustable from -10.00°C to +50.00°C
<b>Relay outputs</b>	2 relays that can be configured in 2 different modes: - Adjustment in alarm mode (1 NTU and 1 temperature (°C) threshold) - Adjustment in adjustment mode (2 NTU thresholds)

Simple, sturdy and reliable like its legendary predecessor, the APF series, with additional digital intelligence and leading-edge technology.

### Fields of application:

The nephelometric turbidimeter is intended for the continuous monitoring of drinking water or low turbidity water.

Its temperature-regulated sensor is equipped with an infrared emitting cell and two receptor cells. The measurement is not dependent on light fluctuations, and the specially designed probe (specific geometry and materials) completely eliminates residual infrared absorption.

The ACTEON 2056 unit comes with a PONCIR-NTU20-10 optical infrared sensor.

## Nephelometric and temperature sensor:

### IR nephelometric sensor: PONCIR-NTU20- 10:

**Measurement principle:** By absorption at 180° and diffusion at 90°

**Length:** 284mm

**Weight:** 1kg

**Material:** PVC

**Protection:** IP68

**Max pressure:** 10 bars

**Temperature compensation (°C):** Automatic, by NTC thermistor from +5 to +30°C

**Emission wavelength:** 880nm (infrared)

**Cable:** Multiple coated wires, polyurethane sheath. 10m standard length (up to 100m on request)

**Installation options:** *Fixed sensor-holder perch for in-pipe installations.*

### Temperature Sensor:

Delrin, Stainless steel, Silicone - IP68

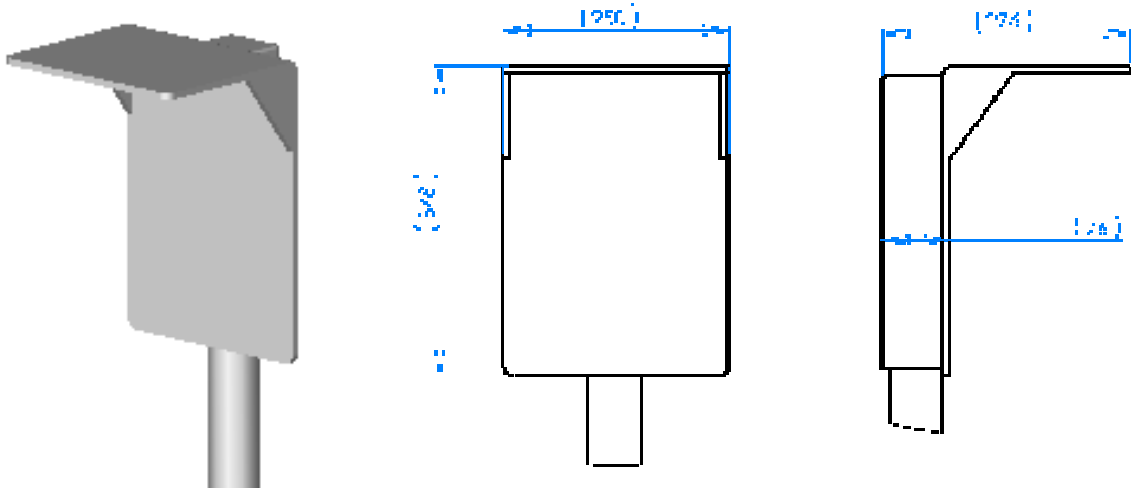
Dimensions: Diameter 3mm (sensor), Length 115mm

Weight: 40g

Cable: 10m standard length



## Accessories for electronic unit installation:



Hood mount for the ACTEON 2056 transmitter (**PON-PDPCV-1** for 1 transmitter and **PON-PDPCV-2** for 2 transmitters).