

## PERMANENT INSTRUMENT

# ACTEON 2031 ODOT

New Optical Dissolved Oxygen and Temperature field transmitter.

- Optical Technology
- 0 consummables
- Sturdy, watertight, easy to install
- Widescreen graphic display: instant measurements, trend line, calibration state
- Quick and simple intuitive programming
- 4-20 mA outputs, programmable relays



Technical specifications	
Oxygen measurement range	0.00 to 25.00mg/L or 0.0 to 200.0%
Oxygen measurement accuracy	1 %
Repeatability	0,01 mg/L
Sensor Drift	Less than 1% per year
Temperature measurement range	-10.00 to +60.00°C
Temperature measurement accuracy (°C)	±0.1°C
Casing	ABS
Protection	IP 65
Operating temperature	-25°C to +55°C
Dimensions (L x W x D) /Weight	173 x 195 x 103mm / 1.5kg
Display	Widescreen back-lit graphic display: 240 x 128 pixels (108 x 58mm)
Power supply	230/115 Vac 60Hz, Optional: 24Vdc
Max power consumption	10VA
4-20mA outputs	2 galvanic isolation outputs (max load 700ohms): - Adjustable from -1000 to +1000mV - Adjustable from -10.00°C to +50.00°C
Relay outputs	2 relays that can be configured in 2 different modes: - Adjustment in alarm mode (1 ORP and 1 temperature threshold) - Adjustment in regulation mode (two ORP thresholds with the two relays).

### Fields of application :

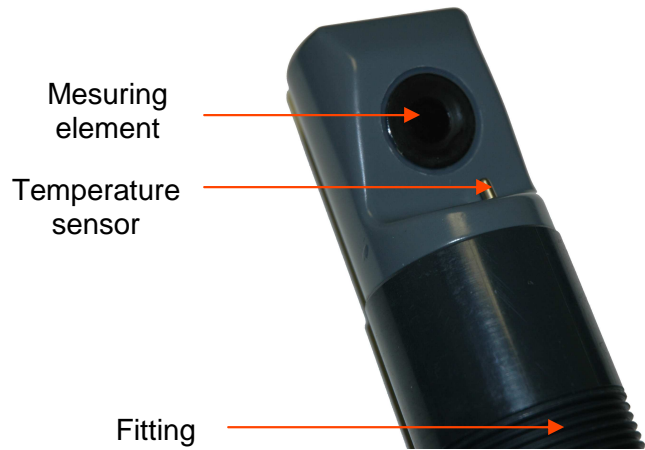
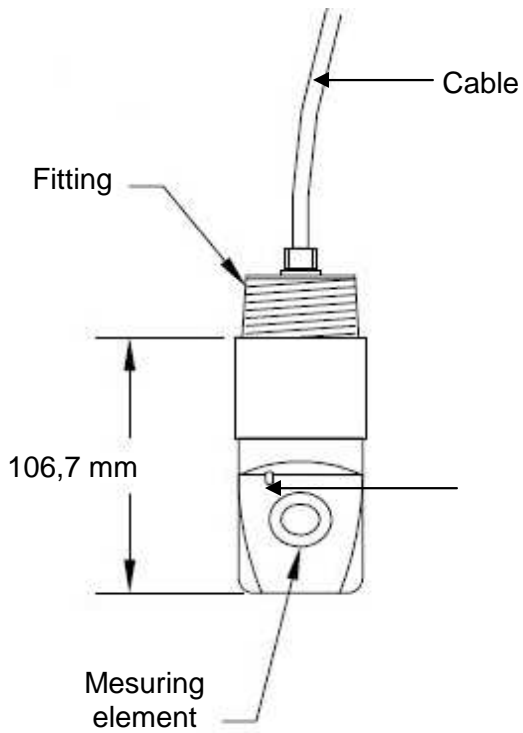
- Wastewater treatment, (input/output controls, aeration and anoxic tanks, odour control unit);
- Industrial effluent treatment (waste controls; neutralisation);
- Drinking water (raw water control, water treatment, output control);
- Surface water monitoring, etc.

### Capteurs Oxygène :

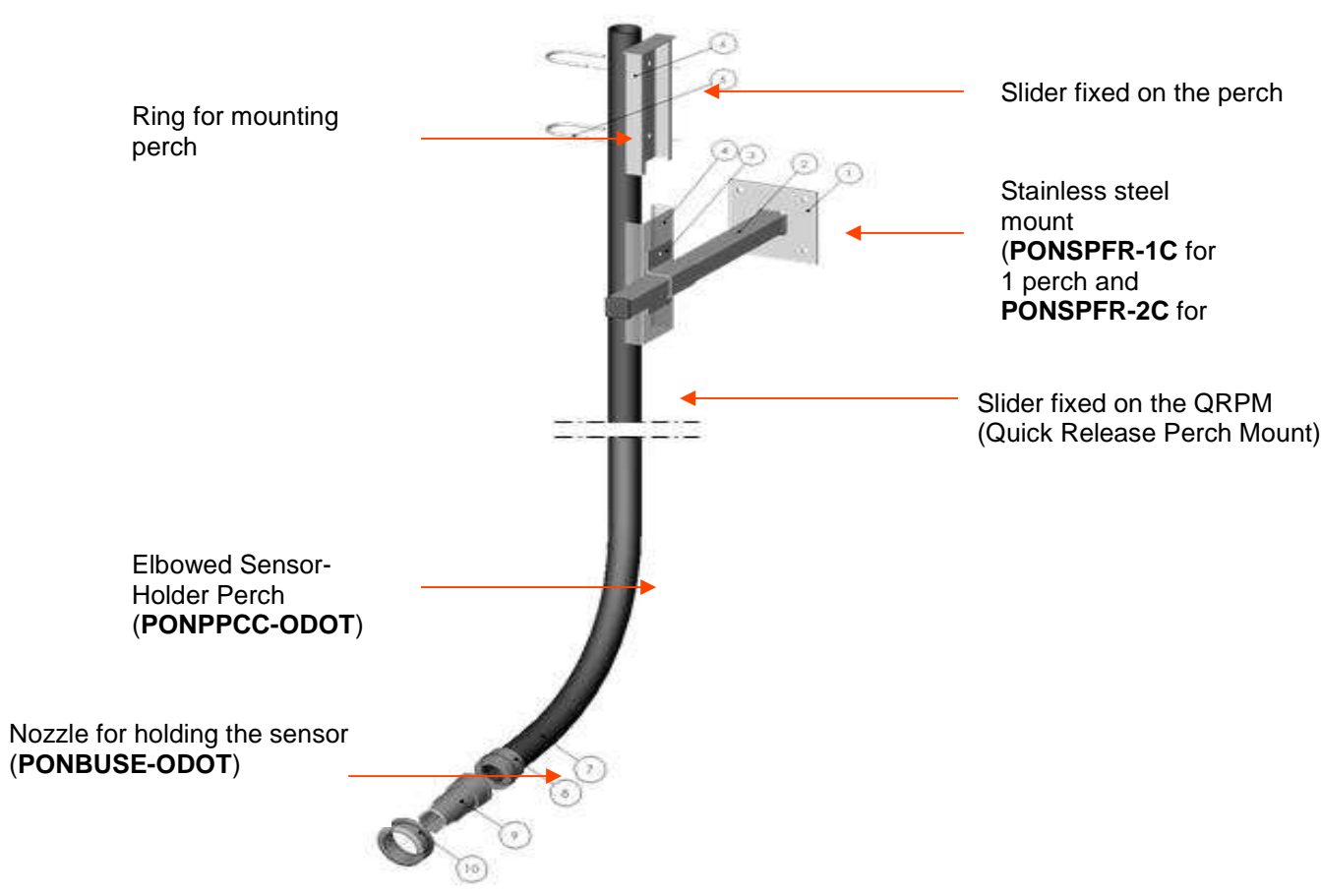
**ODOT sensor:** Optical fluorescence.

- **Technology :** optical sensor which measure the fluorescence and quenching reactions of a ruthenium complex
- **Materials:** Platinum cathode, silver anode, 50µm-thick PTFE membrane, stainless steel and Delrin, IP68.
- **Temperature measurement:** PT 100.
- **Dimensions:** Diameter 20.5mm x Length 130 mm
- **Weight:** 460 g
- **Cable:** 7 m standard length (up to 100m as an option)
- **Pressure :** 7 bar max





**Accessories for sensor installation in tanks and open canals:**



**Accessories for electronic unit installation:**

