

PERMANENT INSTRUMENT

ACTEON 2020 - ORP-THERMOMETER

New Oxido-Reduction Potential and temperature field transmitter

- Sturdy, watertight, easy to install
- Widescreen graphic display: instant measurements, trend line, calibration state
- Quick and simple intuitive programming
- 4-20 mA outputs, programmable relays



Technical specifications	
ORP measurement range	-1000 to +1000mV
ORP measurement accuracy	±5mV
Temperature measurement range	-10.00 to +50.00°C
Temperature measurement accuracy (°C)	±0.1°C
Casing	ABS
Protection	IP 65
Operating temperature	-25°C to +55°C
Dimensions (L x W x D) /Weight	173 x 195 x 103mm / 1.5kg
Display	Widescreen back-lit graphic display: 240 x 128 pixels (108 x 58mm)
Power supply	230/115 Vac 60Hz, Optional: 24Vdc
Max power consumption	10VA
4-20mA outputs	2 galvanic isolation outputs (max load 700ohms):

	<ul style="list-style-type: none"> - Adjustable from -1000 to +1000mV - Adjustable from -10.00°C to +50.00°C
Relay outputs	<p>2 relays that can be configured in 2 different modes:</p> <ul style="list-style-type: none"> - Adjustment in alarm mode (1 ORP and 1 temperature threshold) - Adjustment in regulation mode (two ORP thresholds with the two relays).

ORP and Temperature Sensors:

There are two different standard sensors. The annular **EHAN** platinum cathode sensor (for applications in process) with reverse junction burn-in and the platinum wire **EH** sensor (for quick measurement applications on portable versions).

Platinum tip EH sensor

- Combined electrode: ORP/Reference
- ORP : Platinum tip cathode
- Reference: Ag/AgCl gelled electrolyte
- Electrolyte: Gelled KCL (Plastogel)
- Diameter: 20.5mm x Length 130mm
- Weight: 100g (without cable)
- Watertight: IP68
- Temperature: -10°C to +40°C
- Cable length: 10m standard length (other lengths available on request)
- Submersion: cable seal is watertight when submerged



Platinum ring EHAN sensor

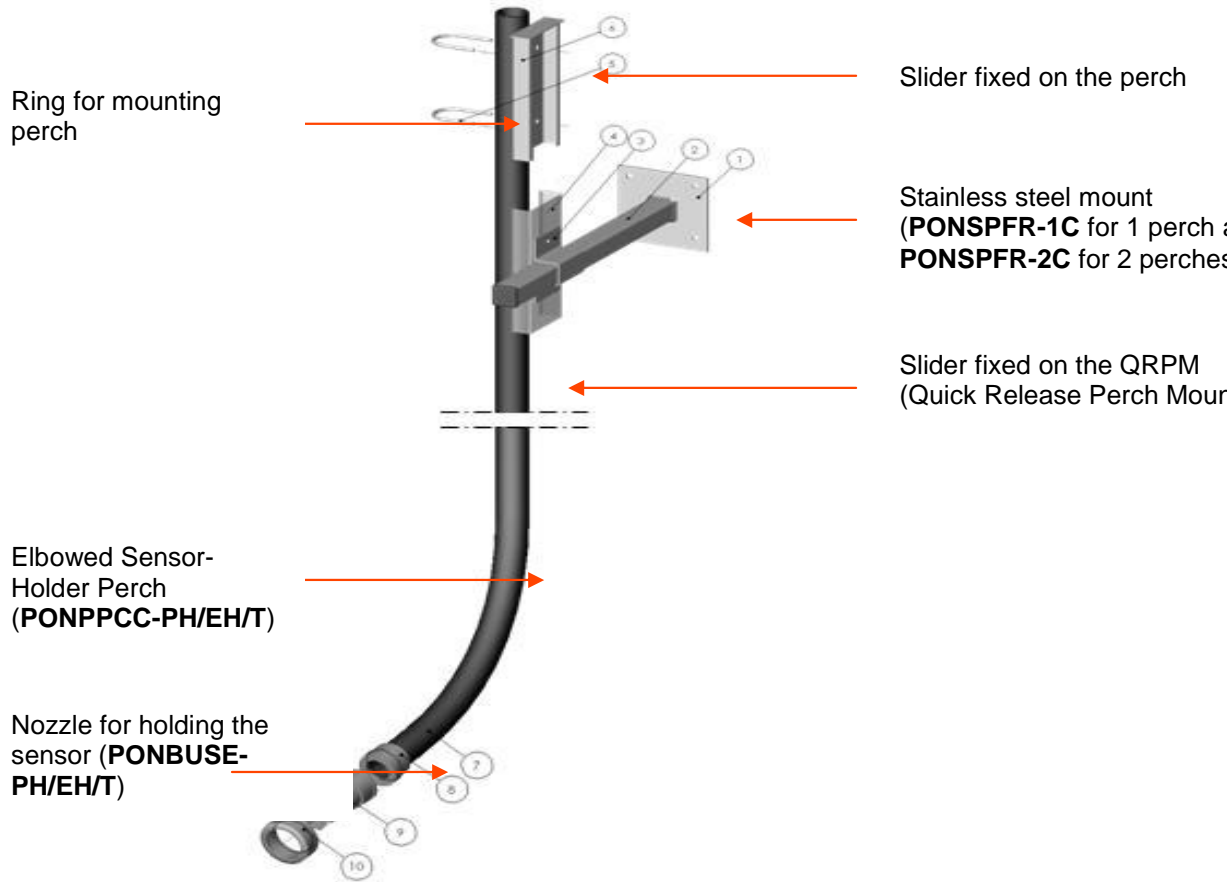
- Combined electrode: ORP/Reference
- ORP : Annular reverse burn-in platinum sensor
- Reference: Ag/AgCl gelled electrolyte
- Electrolyte: Gelled 3M KCL (Plastogel)
- Diameter: 20.5mm x Length 144mm
- Weight: 440g (with cable)
- Watertight: IP68
- Temperature: -10°C to +40°C
- Cable length: 10m standard length (other lengths available on request)
- Submersion: cable seal is watertight when submerged



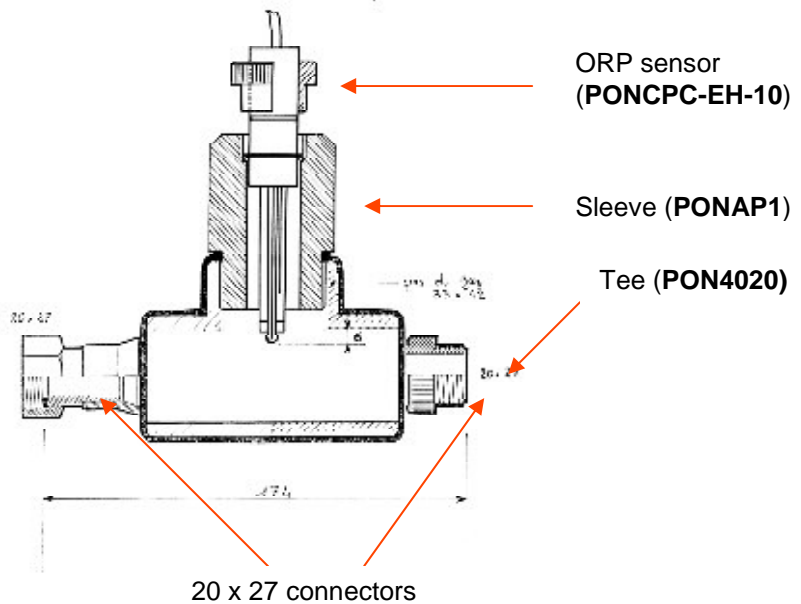
Temperature Sensor:

Delrin, Stainless steel, Silicone - IP68
 Dimensions: Diameter 3mm (sensor), Length 115mm
 Weight: 40 g
 Cable: 10m standard length

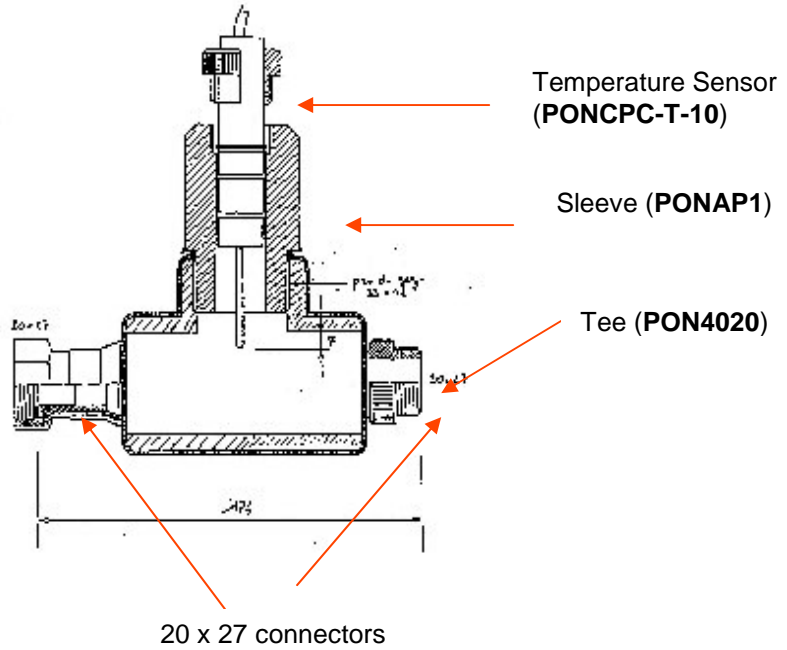
Accessories for sensor installation in tanks and open canals:



Accessories for sensor installation in pipes:



Temperature or pH sensor mounted inside a pipe



Accessories for electronic unit installation:

